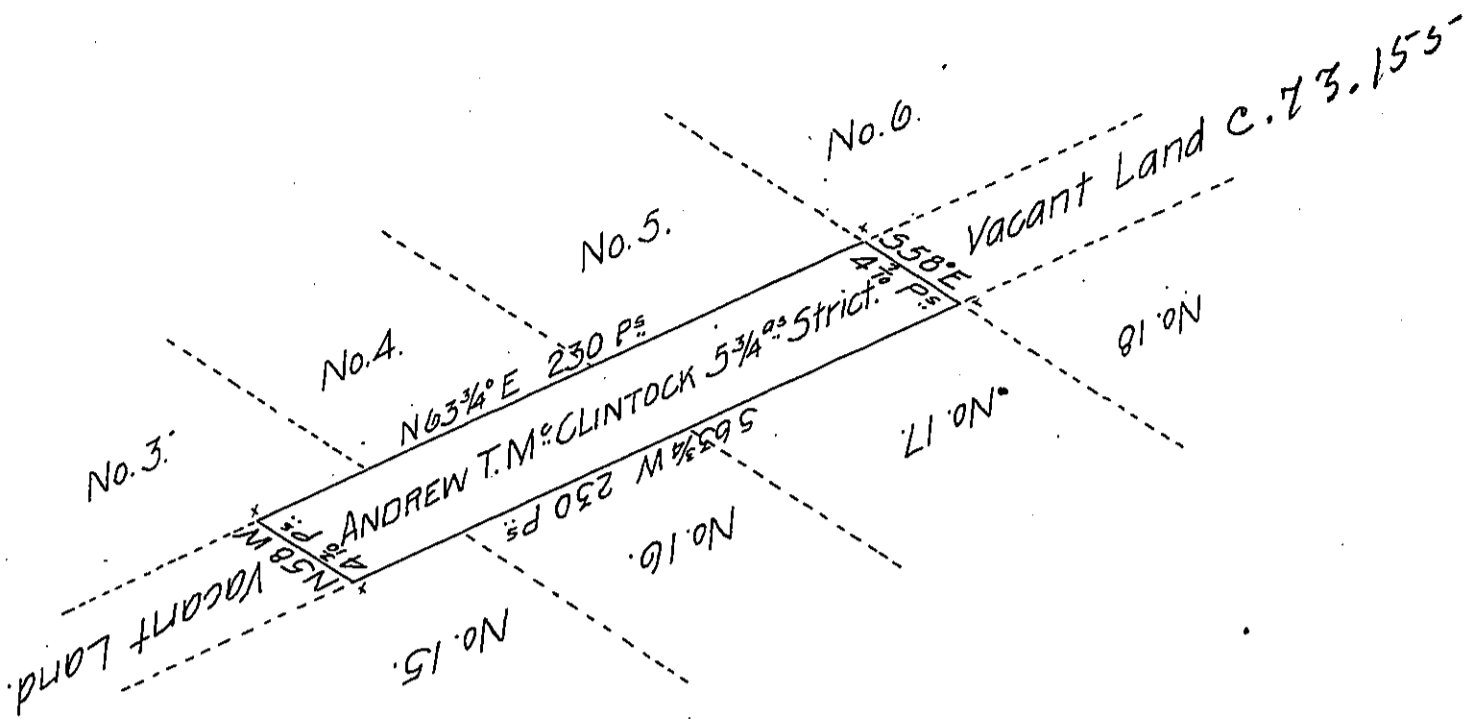


✓



A draft of a tract of land (Improved) Situated in the first Division of Lots in Pittston one of the seventeen Certified townships in Luzerne County between No. 3, 4, 5 and 15, 16, 17, of Said division - Containing five and three-fourths acres Strict Measure.

Surveyed the above described tract of land to Andrew T. McClintock, the twenty second day of December A.D. one thousand eight hundred and fifty seven; by virtue of his Warrant dated December 16th 1857.

Henry Colt Survr.

for Luzerne County.

To Genl John Rowe }
 Surv. Genl. }

IN TESTIMONY that the above is a copy of the original remaining on file in the Department of Internal Affairs of Pennsylvania, made conformably to an Act of Assembly approved the 16th day of February, 1833, I have hereunto set my Hand and caused the Seal of said Department to be affixed at Harrisburg, this first day of March 1906.

Loac B. Brown
 Secretary of Internal Affairs.